



लोहिया स्वच्छ बिहार अभियान

(स्वच्छ भारत मिशन (ग्रामीण) एवं लोहिया स्वच्छता योजना)
बिहार ग्रामीण जीविकोपार्जन प्रोत्साहन समिति, ग्रामीण विकास विभाग



बिहार सरकार

विद्युत भवन-2, प्रथम तल, बेली रोड, पटना-800 021, दूरभाष : +91-612-250 4980, फ़ैक्स : +91-612-250 4960 वेबसाइट : www.lsba.bih.nic.in

पत्रांक: BRIPS-LSBA/Pmj/11/17/660

दिनांक 07/02/2018

प्रेषक,

बालामुरुगन डी0, भा0 प्र0 से0,
मुख्य कार्यपालक पदाधिकारी-सह-मिशन निदेशक।

सेवा में,

सभी जिला पदाधिकारी-सह-अध्यक्ष,
जिला जल एवं स्वच्छता समिति, बिहार।

विषय: जिले के समाहारणालय परिसर, प्रखण्ड कार्यालय एवं पंचायत भवनों में (1)-दो गड्डों वाले जलबंद मॉडल शौचालय के निर्माण के संबंध में।

महाशय,

उपरोक्त विषयक के संबंध में सूचित करना है कि लोहिया स्वच्छ बिहार अभियान अंतर्गत, राज्य को मार्च 2019 तक खुले में शौच से मुक्त किये जाने का लक्ष्य रखा गया है, जिसकी प्राप्ति हेतु सभी स्तरों पर समन्वय स्थापित कर विभिन्न प्रकार का जागरुकता कार्यक्रम चलाया जा रहा है।

लोहिया स्वच्छ बिहार अभियान अंतर्गत दो गड्डों वाले जलबंद शौचालय के स्वनिर्माण के लिये लाभुकों को प्रेरित किया जा रहा है। पेय जल एवं स्वच्छता मंत्रालय, भारत सरकार द्वारा भी पत्र प्रेषित कर दो गड्डों वाले जलबंद शौचालय के निर्माण के संबंध में लाभुकों को जागरुक करने के साथ तकनीक को साक्षा करने का निदेश प्राप्त हुआ है (प्रति संलग्न)।

अतः उक्त के आलोक में अनुरोध है कि अपने जिले के समाहारणालय परिसर, प्रखण्ड कार्यालय एवं पंचायत भवन परिसर में दो गड्डों वाले जलबंद मॉडल शौचालय का निर्माण कराया जाए एवं इस तकनीक को प्रचार-प्रसार कराया जाए।

उक्त मॉडल शौचालय निर्माण में होने वाले व्यय का समायोजन स्वच्छ भारत मिशन-ग्रामीण के आई0 ई0 सी0 मद से किया जाये।

अनुलग्नक: यथोक्त।

विश्वासभाजन

ह0/-

(बालामुरुगन डी0)

ज्ञापांक: BRIPS-LSBA/Pmj/11/17/660

दिनांक 07/02/2018

प्रतिलिपि: उप विकास आयुक्त-सह-उपाध्यक्ष, जिला जल एवं स्वच्छता समिति, बिहार को सूचनार्थ एवं आवश्यक कार्यार्थ प्रेषित।

प्रतिलिपि: सचिव, ग्रामीण विकास विभाग, बिहार को सादर सूचनार्थ प्रेषित।

प्रतिलिपि: विकास आयुक्त, बिहार को सादर सूचनार्थ समर्पित।


(बालामुरुगन डी0)

विकसित बिहार का निश्चय : शौचालय निर्माण, घर का सम्मान



18/12

LEA-484

Naresh
30/12/17

परमेश्वरन अय्यर

Parameswaran Iyer



सत्यमेव जयते



स्वच्छ भारत

सचिव

भारत सरकार

पेयजल एवं स्वच्छता मंत्रालय

Secretary

Government of India

Ministry of Drinking Water & Sanitation

4th Floor, Pt Dindayal Antodaya Bhawan, N D-110003

Tel: 24361011, 24362715,

Email: param.iyer@gov.in

D.O.No.S-18011/18/2017-SBM

14 December 2017

Com. Rupal Dev

मुख्य सचिव
विभाग



Com. SE

Dear Anjani,

As you are aware, the Swachh Bharat Mission (Gramin) is a major initiative that seeks to improve the sanitation situation in the rural India. The objective of the Mission is to make the country Open Defecation Free (ODF) by 2nd October 2019.

Appropriate technology, responsive to the local conditions, is central to the sustainability of the freedom from open defecation achieved in villages of the country. While States are doing their bit to promote sustainable and ecofriendly technical options, the following are certain observations from the field that need to be addressed:

- Septic tanks that have been built will need proper septage management which is not very easy in local rural conditions.
 - Single pits also need advance planning for the time when the pit would fill up and the family would need to construct a new pit to continue using the toilet.
3. Meanwhile, twin pit toilets, which do not include the above issues, need further reinforcement and promotion through a multi-pronged IEC strategy. The Ministry is promoting use of twin pits nationally through audio-visual campaigns and during various training and reviews organized.
 4. To ensure large scale promotion of twin pits, live demo twin pit toilets may be constructed in the Offices of DM/DC, BDO, Panchayats. The cost for toilets may be met using the IEC funds. The design of Twin Pit toilets is placed at Annexure-1.

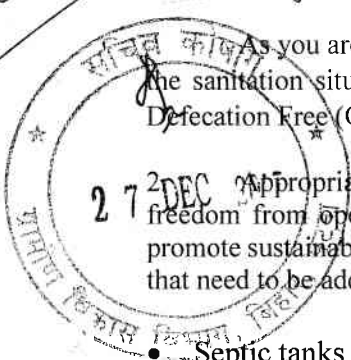
With regards

Yours sincerely,

Parameswaran Iyer

Shri Anjani Kumar Singh
Chief Secretary
Government of Bihar
Patna, Bihar

26/12/17
12/10



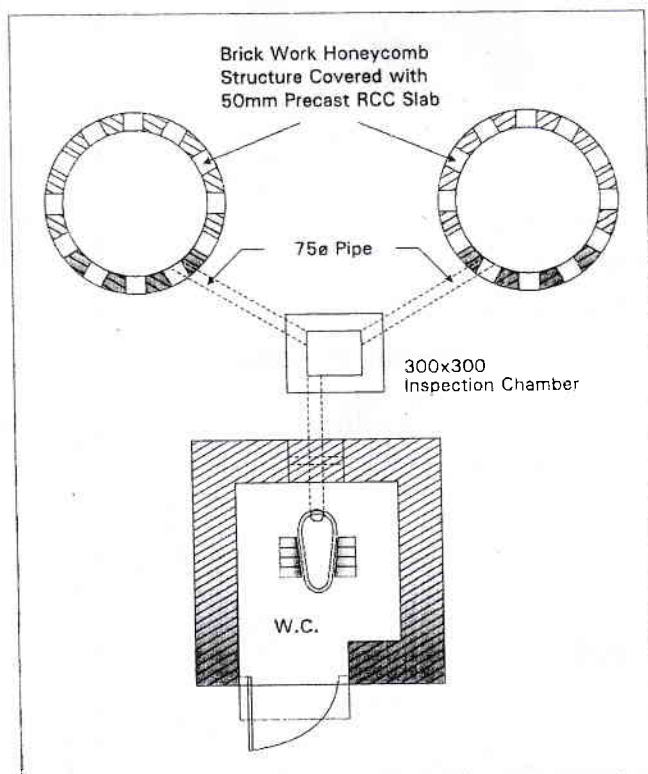
Twin Pit Water Seal Toilet

The 'Twin Pit Water Seal Toilet' is a complete excreta disposal system which provides continuous operation with minimal effort. The main components of such a toilet are the water seal pan/ trap arrangement, squatting platform, junction chamber, two pits and a superstructure.

- The squatting platform is a raised pucca structure, constructed with appropriate plinth and foundation.
- The pan has a steep bottom slope which allows easy flushing of excreta.
- The outlet of the pan is connected with a P-trap. On flushing, some water always remains in the trap and forms a 'water seal'. The water seal prevents the bad odour coming from (and the insects reaching the) excreta.
- The outlet of the trap is connected with a junction chamber either by using a pipe or by constructing a covered brick drain.
- The junction chamber has one inlet (connected to the P-trap) and two outlets (connected to the leach pits) which are for alternate use.
- A temporary or permanent superstructure is constructed over the platform for privacy and protection.

For making a twin-pit toilet operational:

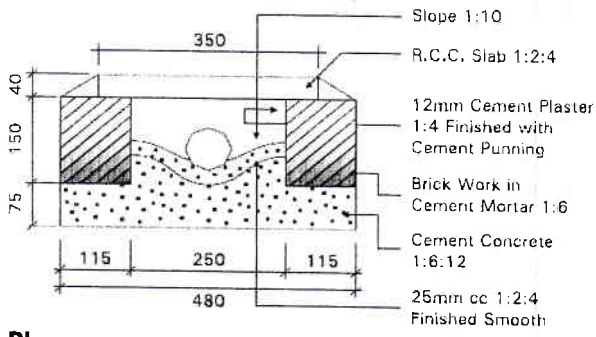
- One of the outlets of the Y-junction in the junction chamber is blocked while the other outlet is kept open to the corresponding pit.
- When the first pit gets filled up, the flow of excreta has to be diverted to the stand-by second pit.
- For doing this, one has to remove the cover of the junction chamber, open the outlet connected to the second pit, block the outlet connected to the first filled up pit and replace the junction chamber cover.
- The contents of the filled pit will become organic humus and safe for manual cleaning in about two years.
- When the second pit also gets filled up, the first pit is cleaned and the same operation is repeated to divert the flow of excreta from the second pit to the first pit as was followed earlier.



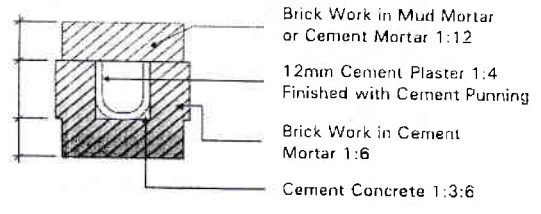
⑦ *Handwritten notes in Hindi*

Thus a 'Twin-pit Water Seal Toilet' provides a continuous operation and also functions as an in-situ waste treatment plant.

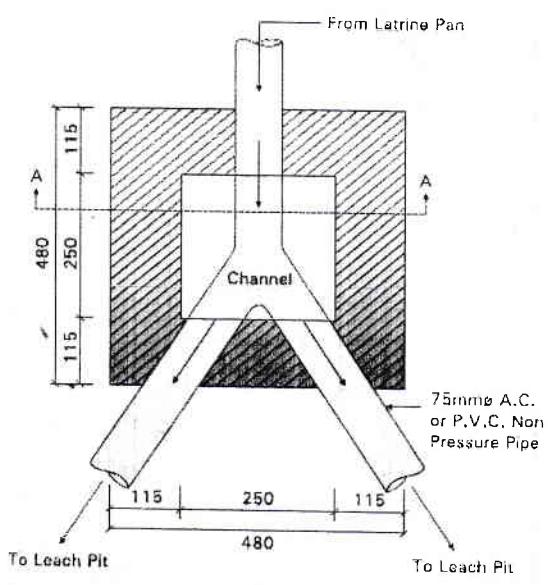
Section A-A



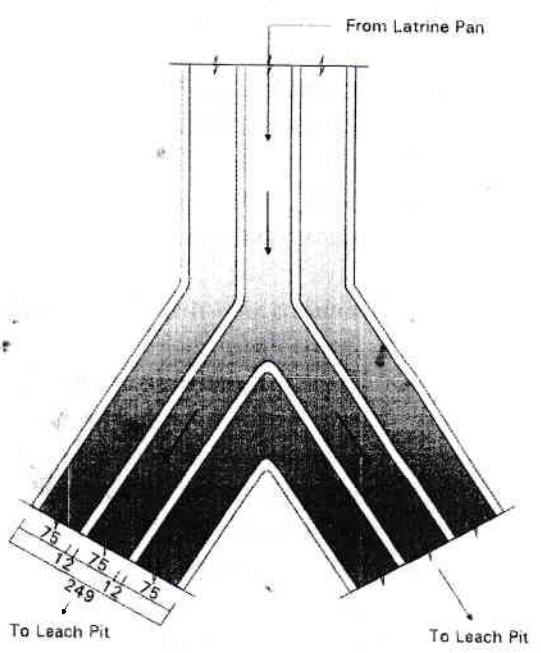
Section B-B



Plan

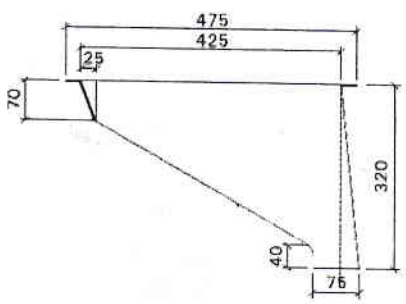


Plan



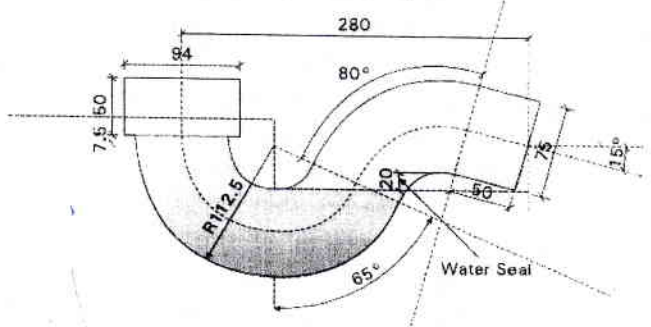
Section C-C

Junction Chamber

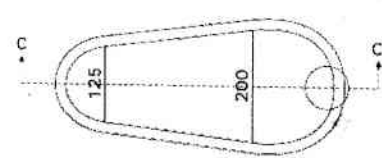


Trap

Brick Drain



Plan



Squatting Pan

All Dimensions In Mm